



**QUOTATION
NO. 10745R**

**CITY OF CORONA
400 S. VINCENTIA AVE. SUITE 215
CORONA, CA 92882-2187
SOURCEWELL MEMBER ID# 18283**

DATE: 4/21/2021
TERMS: NET 30
F.O.B: DEALER

QTY	PART NO.	DESCRIPTION	PRICE	EXTENSION
1	CORONA-01	<p>PB LOADER SOURCEWELL CONTRACT NO. 052417-PBL</p> <p>CITY OF CORONA CUSTOM CEMENT BODY</p> <p>CITY OF CORONA 022 FREIGHTLINER 114SD CUSTOM CEMENT BODY COMPLETE WITH CUMMINS L9N ENGINE ALLISON 3000 RDS TRANSMISSION WITH PTO PROVISION, 23,000 LB. AIRLINER REAR SUSPENSION, 13,300 LB. TAPERLEAF FRONT SUSPENSION AND 60 DGE COMPRESSED NATURAL GAS (CNG) FUEL TANKS STACKED BACK OF CAB, CTECH CABINET WITH DRAWERS AND DIVIDERS FOR FITTINGS, 50' WATER REEL WITH 5/8" HOSE CONNECTED TO 150 GAL STAINLESS STEEL TANK & 12 VOLT PUMP, 150 GAL STAINLESS STEEL TANK, 12 VOLT PUMP PLUMBED TO REEL, DUPLEX 20 AMP OUTLETS ONE NEAR THE FRONT OF SIDE PACK AND ONE AT THE REAR WIRED TO GENERATOR, THREE (3) SHOVEL FORWARD SIDE OF BULKHEAD ON BOTH SIDES, TWO (2) JACK HAMMER HOLDERS UNDER CNG TANKS, TWO (2) CONE HOLDERS ON FRONT BUMPER, AIR REEL, 50' X 3/4" HOSE MOUNTED ON FRONT FRAME EXTENSION WITH 3 ORANGE DELINEATOR POLES, LIFT GATE WITH 2000# CAPACITY BY APPROXIMATELY 98" WIDE X 48" DEEP MOUNTED TO REAR, VANAIR 125/185CFM @ 100 PSI AIR COMPRESSOR WITH 6.6KW GENERATOR DRIVEN BY CHASSIS PTO., 2.5" RECIEVER HITCH WITH 7 WAY RV STYLE PLUG, TWO (2) APPROXIMATE 4" X 9" X 10 FT ALUMINUM CONDUIT BOX, E-TRACK MOUNTED TO INSIDE OF PIPE RACK AND SS INSIDE OF SIDEPACK, FOUR (4) ADDITIONAL SHOVEL HOLDERS AND TWO 6" X 42" PIPE TUBE FOR TOOL STORAGE, TWO (2) ARROW STICKS OPERATED WITH CAB CONTROLS, ONE FACING FORWARD, ONE FACING REAR, EIGHT (8) WHELEN STROBES LIGHTS WITH PUDDLE LAMP FEATURE AND BLACK FLANGE FRAME, FOUR (4) RIGID MODEL 60213 WORK LIGHTS D SERIES PRO (WHITE), SPOD SWITCH PANEL SYSTEM TO OPERATE LIGHTS, BEDLINE SS INNER VERTICAL WALL AND FLOOR (NOT PIPE RACK), SIX (6) FLOOR CHAIN TIE DOWNS. FOUR (4) RACHET STRAPS FOR E TRACK, PAINT AND INSTALLATION</p>		\$284,252.00
TOTAL LIST:				\$284,252.00
3% CUSTOMER SOURCEWELL DISCOUNT:				(\$8,528.00)
NET PRICE:				\$275,724.00
DOCUMENTATION FEE:				\$85.00
CORONA SALES TAX (7.75%):				\$21,375.20
EXTENDED CHASSIS WARRANTY (SEE NOTE 2):				\$8,142.00
TIRE FEE				\$17.50
ELECTRONIC FILING FEE:				\$30.00
TOTAL PRICE:				\$305,373.70
<p>NOTES:</p> <p>1. PURCHASE ORDERS ARE TO BE MADE OUT TO PB LOADER CORPORATION.</p> <p>2. EXTENDED CHASSIS WARRANTY INCLUDES: - CUMMINS EPA17 L9N 5-YEAR/ 150,000 MILE EXTENDED ENGINE WARRANTY. FEX APPLIES. - TC4 TRUCK COVERAGE: 7-YEARS / 150,000 MILE EXTENDED TRUCK COVERAGE.</p> <p>Delivery times are approximate.</p>				



QUOTE # 3713

DATE: 2/16/2021

City of Corona, CA. Custom Cement Body

Body S/N: Crane S/N:

27065 Kerslake Pl.
Tea, SD 57064
P: (605) 498-0610
F: (605) 498-0609

CUSTOMER: Los Angeles Truck Center
ADDRESS: 2429 S Peck Road
CITY: Whittier, CA 90601
CONTACT: James K. Blakely
PHONE: CELL: 714-357-0024
E-MAIL: jblakely@vvgtruck.com

SALESPERSON: Charles Mehlhaf

Table with 4 columns: STANDARD EQUIPMENT, P/N, DESCRIPTION, US DOLLARS AMOUNT. Row 1: BODY TYPE, CUSTOM CEMENT BODY FOR CORONA, CA. AS PER EMAIL SPEC. BY JAMES SENT 2-12-2021

Table with 4 columns: EQUIPMENT, QTY, P/N, DESCRIPTION, US DOLLARS AMOUNT. Rows include: CABINET, WATER REEL, WATER TANK, WATER PUMP, OUTLETS, SHOVEL HOLDER, HOLDERS, CONE HOLDERS, REEL, LIFT GATE, VANAIR, HITCH, CONDUIT BOX, E TRACK, ARROW STICK, STROBES, FLANGES, WORK LIGHTS, SPOD, BED LINE, CHAIN TIES, RACHET STRAPS, MOUNTING, FREIGHT, TOTAL

1 Travel Flight \$850.00 + Labor Travel \$800.00=\$1650.00 + Motel \$175.00 Per Night + Per Day Labor Charge of 800.00 Optional Not Included in Total Price

CHASSIS INFORMATION Freightliner Chassis provided by Velocity.

*NOTES: *This Quote is Valid for 90 Days.
*25% NON-REFUNDABLE DOWN PAYMENT REQUIRED WITH ORDER OR COMPANY PURCHASE ORDER.
*AGREEMENT SIGNED BELOW
*BALANCE DUE ON OR BEFORE PICK UP DATE.

TOTAL PRICE DELIVERED TO ONTARIO, CA. -

ACCEPTED BY:

WE APPRECIATE THE OPPORTUNITY TO PROVIDE THIS QUOTE

Prepared for:
Eugene Silvas
CORONA CITY OF
755 Public Safety Wy
Corona, CA 92880
Phone: 9517362234

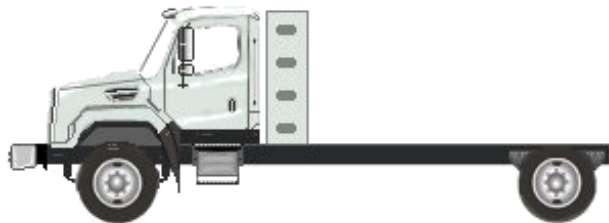
Prepared by:
James Blakely
LOS ANGELES FTL - WST
2429 PECK ROAD
WHITTIER, CA 90601
Phone: 714-357-0024

A proposal for
CORONA CITY OF

Prepared by
LOS ANGELES FTL - WST
James Blakely

Feb 17, 2021

Freightliner 114SD



Components shown may not reflect all spec'd options and are not to scale



Prepared for:
Eugene Silvas
CORONA CITY OF
755 Public Safety Wy
Corona, CA 92880
Phone: 9517362234

Prepared by:
James Blakely
LOS ANGELES FTL - WST
2429 PECK ROAD
WHITTIER, CA 90601
Phone: 714-357-0024

TABLE OF CONTENTS

SPECIFICATION PROPOSAL	3
STARTABILITY	18
DIMENSIONS	20
OPERATING RANGE	22
GVWR	25
TURNING RADIUS	27
OPERATING SPEED	29
FRAME RBM	31



Prepared for:
 Eugene Silvas
 CORONA CITY OF
 755 Public Safety Wy
 Corona, CA 92880
 Phone: 9517362234

Prepared by:
 James Blakely
 LOS ANGELES FTL - WST
 2429 PECK ROAD
 WHITTIER, CA 90601
 Phone: 714-357-0024

S P E C I F I C A T I O N P R O P O S A L

Data Code	Description	Weight Front	Weight Rear
Price Level			
PRL-23D	SD PRL-23D (EFF:01/21/20)		
Data Version			
DRL-004	SPECPRO21 DATA RELEASE VER 004		
Vehicle Configuration			
001-177	114SD CONVENTIONAL CHASSIS	7,934	6,476
004-222	2022 MODEL YEAR SPECIFIED		
002-004	SET BACK AXLE - TRUCK	480	-480
019-002	STRAIGHT TRUCK PROVISION		
003-001	LH PRIMARY STEERING LOCATION		
General Service			
AA1-002	TRUCK CONFIGURATION		
AA6-001	DOMICILED, USA 50 STATES (INCLUDING CALIFORNIA AND CARB OPT-IN STATES)		
A85-010	UTILITY/REPAIR/MAINTENANCE SERVICE		
A84-1UT	UTILITY BUSINESS SEGMENT		
AA4-011	FIXED LOAD COMMODITY		
AA5-002	TERRAIN/DUTY: 100% (ALL) OF THE TIME, IN TRANSIT, IS SPENT ON PAVED ROADS		
AB1-008	MAXIMUM 8% EXPECTED GRADE		
AB5-001	SMOOTH CONCRETE OR ASPHALT PAVEMENT - MOST SEVERE IN-TRANSIT (BETWEEN SITES) ROAD SURFACE		
995-1A0	FREIGHTLINER SD VOCATIONAL WARRANTY		
A66-99D	EXPECTED FRONT AXLE(S) LOAD : 13300.0 lbs		
A68-99D	EXPECTED REAR DRIVE AXLE(S) LOAD : 21000.0 lbs		
A63-99D	EXPECTED GROSS VEHICLE WEIGHT CAPACITY : 34300.0 lbs		
Truck Service			
AA3-006	UTILITY BODY		
A88-99D	EXPECTED TRUCK BODY LENGTH : 14.0 ft		



Prepared for:
 Eugene Silvas
 CORONA CITY OF
 755 Public Safety Wy
 Corona, CA 92880
 Phone: 9517362234

Prepared by:
 James Blakely
 LOS ANGELES FTL - WST
 2429 PECK ROAD
 WHITTIER, CA 90601
 Phone: 714-357-0024

Data Code	Description	Weight Front	Weight Rear
A89-99D	BRAKING-EXPECTED CAB TO BODY CLEARANCE : 27.0 in		
AF3-166	P.B. LOADER CORPORATION		
AF7-99D	EXPECTED BODY/PAYLOAD CG HEIGHT ABOVE FRAME "XX" INCHES : 32.0 in		

Engine

101-26N	CUM L9N 320 HP @ 2000 RPM, 2200 GOV, N-GAS, 1000 LB-FT @ 1300 RPM	-850	-70
---------	---	------	-----

Electronic Parameters

79A-070	70 MPH ROAD SPEED LIMIT		
79B-000	CRUISE CONTROL SPEED LIMIT SAME AS ROAD SPEED LIMIT		
79K-012	PTO MODE ENGINE RPM LIMIT - 1500 RPM		
79M-001	PTO MODE BRAKE OVERRIDE - SERVICE BRAKE APPLIED		
79P-004	PTO RPM WITH CRUISE SET SWITCH - 900 RPM		
79Q-004	PTO RPM WITH CRUISE RESUME SWITCH - 900 RPM		
79S-001	PTO MODE CANCEL VEHICLE SPEED - 5 MPH		
79U-004	PTO GOVERNOR RAMP RATE - 100 RPM PER SECOND		
80G-002	PTO MINIMUM RPM - 700		

Engine Equipment

99C-121	2010 EPA/CARB ULNOX/GHG21 CONFIGURATION		
99D-012	2008 CARB EMISSION CERTIFICATION - EXEMPTED VEHICLE; NO CLEAN IDLE LABEL REQUIRED		
13E-001	STANDARD OIL PAN		
105-001	ENGINE MOUNTED OIL CHECK AND FILL		
014-1B5	SIDE OF HOOD AIR INTAKE WITH DONALDSON HIGH CAPACITY AIR CLEANER WITH SAFETY ELEMENT, FIREWALL MOUNTED		
124-1DJ	DR 12V 160 AMP 36-SI BRUSHLESS QUADRAMOUNT PAD ALTERNATOR WITH REMOTE BATTERY VOLT SENSE	10	
292-236	(3) DTNA GENUINE, FLOODED STARTING, MIN 3000CCA, 555RC, THREADED STUD BATTERIES		
290-017	BATTERY BOX FRAME MOUNTED		
281-001	STANDARD BATTERY JUMPERS		
282-001	SINGLE BATTERY BOX FRAME MOUNTED LH SIDE UNDER CAB		



Prepared for:
 Eugene Silvas
 CORONA CITY OF
 755 Public Safety Wy
 Corona, CA 92880
 Phone: 9517362234

Prepared by:
 James Blakely
 LOS ANGELES FTL - WST
 2429 PECK ROAD
 WHITTIER, CA 90601
 Phone: 714-357-0024

Data Code	Description	Weight Front	Weight Rear
291-017	WIRE GROUND RETURN FOR BATTERY CABLES WITH ADDITIONAL FRAME GROUND RETURN		
289-001	NON-POLISHED BATTERY BOX COVER		
87P-001	CAB AUXILIARY POWER CABLE	5	
293-061	POSITIVE LOAD DISCONNECT WITH CONTROL SWITCH WITH LOCKING PROVISION MOUNTED OUTSIDE OF CAB	2	
295-029	POSITIVE AND NEGATIVE POSTS FOR JUMPSTART LOCATED ON FRAME NEXT TO STARTER	2	
* 150-030	CUMMINS ENCORE ENGINE ELECTRONICS		
107-032	CUMMINS TURBOCHARGED 18.7 CFM AIR COMPRESSOR WITH INTERNAL SAFETY VALVE		
152-041	ELECTRONIC ENGINE INTEGRAL SHUTDOWN PROTECTION SYSTEM		
016-013	SINGLE HORIZONTAL MUFFLER WITH HORIZONTAL TAILPIPE EXHAUST, RH MOUNTED	-160	-80
28F-010	ENGINE AFTERTREATMENT WIRING, OXYGEN SENSOR		
239-001	STANDARD EXHAUST SYSTEM LENGTH		
237-052	RH STANDARD HORIZONTAL TAILPIPE		
23U-998	NO DIESEL EXHAUST FLUID TANK	-60	-35
273-018	HORTON DRIVEMASTER ADVANTAGE ON/OFF FAN DRIVE		
276-001	AUTOMATIC FAN CONTROL WITHOUT DASH SWITCH, NON ENGINE MOUNTED		
110-017	CUMMINS SUPPLIED FLEETGUARD COALESCING FILTER (LOW PRESSURE) CNG		
118-008	COMBINATION FULL FLOW/BYPASS OIL FILTER		
266-017	1300 SQUARE INCH ALUMINUM RADIATOR	-20	
103-039	ANTIFREEZE TO -34F, OAT (NITRITE AND SILICATE FREE) EXTENDED LIFE COOLANT		
171-007	GATES BLUE STRIPE COOLANT HOSES OR EQUIVALENT		
172-001	CONSTANT TENSION HOSE CLAMPS FOR COOLANT HOSES		
270-016	RADIATOR DRAIN VALVE		
155-058	DELCO 12V 38MT HD STARTER WITH INTEGRATED MAGNETIC SWITCH	-35	

Transmission

342-582	ALLISON 3000 RDS AUTOMATIC TRANSMISSION WITH PTO PROVISION
---------	--



Prepared for:
 Eugene Silvas
 CORONA CITY OF
 755 Public Safety Wy
 Corona, CA 92880
 Phone: 9517362234

Prepared by:
 James Blakely
 LOS ANGELES FTL - WST
 2429 PECK ROAD
 WHITTIER, CA 90601
 Phone: 714-357-0024

Data Code	Description	Weight Front	Weight Rear
Transmission Equipment			
343-339	ALLISON VOCATIONAL PACKAGE 223 - AVAILABLE ON 3000/4000 PRODUCT FAMILIES WITH VOCATIONAL MODELS RDS, HS, MH AND TRV		
84B-012	ALLISON VOCATIONAL RATING FOR ON/OFF HIGHWAY APPLICATIONS AVAILABLE WITH ALL PRODUCT FAMILIES		
84C-023	PRIMARY MODE GEARS, LOWEST GEAR 1, START GEAR 1, HIGHEST GEAR 6, AVAILABLE FOR 3000/4000 PRODUCT FAMILIES ONLY		
84D-023	SECONDARY MODE GEARS, LOWEST GEAR 1, START GEAR 1, HIGHEST GEAR 6, AVAILABLE FOR 3000/4000 PRODUCT FAMILIES ONLY		
84E-000	PRIMARY SHIFT SCHEDULE RECOMMENDED BY DTNA AND ALLISON, THIS DEFINED BY ENGINE AND VOCATIONAL USAGE		
84F-000	SECONDARY SHIFT SCHEDULE RECOMMENDED BY DTNA AND ALLISON, THIS DEFINED BY ENGINE AND VOCATIONAL USAGE		
84G-000	PRIMARY SHIFT SPEED RECOMMENDED BY DTNA AND ALLISON, THIS DEFINED BY ENGINE AND VOCATIONAL USAGE		
84H-000	SECONDARY SHIFT SPEED RECOMMENDED BY DTNA AND ALLISON, THIS DEFINED BY ENGINE AND VOCATIONAL USAGE		
84N-200	FUEL SENSE 2.0 DISABLED - PERFORMANCE - TABLE BASED		
84U-000	DRIVER SWITCH INPUT - DEFAULT - NO SWITCHES		
353-066	VEHICLE INTERFACE WIRING CONNECTOR WITH BLUNT CUTS, AT END OF FRAME		
34C-001	ELECTRONIC TRANSMISSION CUSTOMER ACCESS CONNECTOR FIREWALL MOUNTED		
362-824	(2) CUSTOMER INSTALLED CHELSEA 280 SERIES PTO'S		
363-011	PTO MOUNTING, LH AND RH SIDES OF MAIN TRANSMISSION		
341-018	MAGNETIC PLUGS, ENGINE DRAIN, TRANSMISSION DRAIN, AXLE(S) FILL AND DRAIN		
345-003	PUSH BUTTON ELECTRONIC SHIFT CONTROL, DASH MOUNTED		
97G-004	TRANSMISSION PROGNOSTICS - ENABLED 2013		
370-015	WATER TO OIL TRANSMISSION COOLER, IN RADIATOR END TANK	-15	



Prepared for:
 Eugene Silvas
 CORONA CITY OF
 755 Public Safety Wy
 Corona, CA 92880
 Phone: 9517362234

Prepared by:
 James Blakely
 LOS ANGELES FTL - WST
 2429 PECK ROAD
 WHITTIER, CA 90601
 Phone: 714-357-0024

Data Code	Description	Weight Front	Weight Rear
346-003	TRANSMISSION OIL CHECK AND FILL WITH ELECTRONIC OIL LEVEL CHECK		
35T-001	SYNTHETIC TRANSMISSION FLUID (TES-295 COMPLIANT)		

Front Axle and Equipment

400-1A7	DETROIT DA-F-13.3-3 13,300# FF1 71.5 KPI/3.74 DROP SINGLE FRONT AXLE		
402-109	MERITOR EX+LS AXIAL AIR DISC FRONT BRAKES		
403-002	NON-ASBESTOS FRONT BRAKE LINING		
419-004	FRONT DISC BRAKE ROTORS		
427-001	FRONT BRAKE DUST SHIELDS	5	
409-006	FRONT OIL SEALS		
408-001	VENTED FRONT HUB CAPS WITH WINDOW, CENTER AND SIDE PLUGS - OIL		
416-022	STANDARD SPINDLE NUTS FOR ALL AXLES		
405-030	FRONT AIR DISC BRAKE INTERNAL ADJUSTERS		
406-001	STANDARD KING PIN BUSHINGS		
536-050	TRW THP-60 POWER STEERING		
539-003	POWER STEERING PUMP		
534-003	4 QUART POWER STEERING RESERVOIR	5	
40T-002	CURRENT AVAILABLE SYNTHETIC 75W-90 FRONT AXLE LUBE		

Front Suspension

620-1D8	13,300# TAPERLEAF FRONT SUSPENSION	75	
619-005	MAINTENANCE FREE RUBBER BUSHINGS - FRONT SUSPENSION		
62G-998	NO FRONT SUSPENSION OPTIONS		
410-001	FRONT SHOCK ABSORBERS		

Rear Axle and Equipment

*	420-009	RS-21-160 21,000# R-SERIES SINGLE REAR AXLE		-2,460
*	421-563	5.63 REAR AXLE RATIO		
	424-001	IRON REAR AXLE CARRIER WITH STANDARD AXLE HOUSING		
	386-074	MXL 176T MERITOR EXTENDED LUBE MAIN DRIVELINE WITH HALF ROUND YOKES	25	25
	423-1A4	MERITOR EX-L OPTIMIZED AXIAL AIR DISC REAR BRAKES		-25
	433-002	NON-ASBESTOS REAR BRAKE LINING		
	434-003	STANDARD BRAKE CHAMBER LOCATION		



Prepared for:
 Eugene Silvas
 CORONA CITY OF
 755 Public Safety Wy
 Corona, CA 92880
 Phone: 9517362234

Prepared by:
 James Blakely
 LOS ANGELES FTL - WST
 2429 PECK ROAD
 WHITTIER, CA 90601
 Phone: 714-357-0024

Data Code	Description	Weight Front	Weight Rear
451-005	REAR DISC BRAKE ROTORS		
440-006	REAR OIL SEALS		
426-1AH	AIR DISC LONGSTROKE 1-DRIVE AXLE SPRING PARKING CHAMBERS		-20
428-030	REAR AIR DISC BRAKE INTERNAL ADJUSTERS		
41T-002	CURRENT AVAILABLE SYNTHETIC 75W-90 REAR AXLE LUBE		
42T-010	ARVINMERITOR METAL/COMPOSITE FITTING AND U-TUBE REAR AXLE BREATHER(S)		
Rear Suspension			
622-216	AIRLINER 23,000# REAR SUSPENSION WITH CHAIN CLEARANCE		140
621-007	AIRLINER HIGH POSITION RIDE HEIGHT		
431-001	STANDARD AXLE SEATS IN AXLE CLAMP GROUP		
888-048	MANUAL DUMP VALVE FOR AIR SUSPENSION WITH GAUGE		
87D-006	INDICATOR LIGHT FOR EACH REAR SUSPENSION CONTROL SWITCH		
910-004	DUAL AIR REAR SUSPENSION LEVELING VALVES		
623-002	TRANSVERSE CONTROL RODS		
439-004	REAR SHOCK ABSORBERS - ONE AXLE (AIR RIDE SUSPENSION)		
Brake System			
490-101	WABCO 4S/4M ABS WITH TRACTION CONTROL, WITH ATC OFF-ROAD SWITCH		
871-001	REINFORCED NYLON, FABRIC BRAID AND WIRE BRAID CHASSIS AIR LINES		
904-001	FIBER BRAID PARKING BRAKE HOSE		
412-001	STANDARD BRAKE SYSTEM VALVES		
46D-002	STANDARD AIR SYSTEM PRESSURE PROTECTION SYSTEM		
413-002	STD U.S. FRONT BRAKE VALVE		
432-003	RELAY VALVE WITH 5-8 PSI CRACK PRESSURE, NO REAR PROPORTIONING VALVE		
480-088	WABCO SYSTEM SAVER HP WITH INTEGRAL AIR GOVERNOR AND HEATER		
479-003	AIR DRYER MOUNTED INBOARD ON LH RAIL		
460-001	STEEL AIR BRAKE RESERVOIRS		
607-001	CLEAR FRAME RAILS FROM BACK OF CAB TO FRONT REAR SUSPENSION BRACKET, BOTH RAILS OUTBOARD		



Prepared for:
 Eugene Silvas
 CORONA CITY OF
 755 Public Safety Wy
 Corona, CA 92880
 Phone: 9517362234

Prepared by:
 James Blakely
 LOS ANGELES FTL - WST
 2429 PECK ROAD
 WHITTIER, CA 90601
 Phone: 714-357-0024

Data Code	Description	Weight Front	Weight Rear
477-004	PULL CABLES ON ALL AIR RESERVOIR(S)		
485-037	CAB BLOW OUT KIT WITH AIR HOSE AND NOZZLE INSIDE LH CAB ENTRY DOOR	2	
Trailer Connections			
296-027	PRIMARY CONNECTOR/RECEPTACLE WIRED FOR COMBINATION STOP/TURN, CENTER PIN POWERED THROUGH IGNITION WITH STOP SIGNAL PREWIRE PACKAGE		
297-001	SAE J560 7-WAY PRIMARY TRAILER CABLE RECEPTACLE MOUNTED END OF FRAME	5	5
335-004	UPGRADED CHASSIS MULTIPLEXING UNIT		
Wheelbase & Frame			
545-542	5425MM (214 INCH) WHEELBASE		
546-101	11/32X3-1/2X10-15/16 INCH STEEL FRAME (8.73MMX277.8MM/0.344X10.94 INCH) 120KSI	360	-50
547-034	PARTIAL INNER FRAME REINFORCEMENT AT FRONT SUSPENSION	180	
552-006	2150MM (85 INCH) REAR FRAME OVERHANG		
55W-008	FRAME OVERHANG RANGE: 81 INCH TO 90 INCH	-30	130
549-002	24 INCH INTEGRAL FRONT FRAME EXTENSION	115	-20
AC8-99D	CALC'D BACK OF CAB TO REAR SUSP C/L (CA) : 148.03 in		
AE8-99D	CALCULATED EFFECTIVE BACK OF CAB TO REAR SUSPENSION C/L (CA) : 121.03 in		
AE4-99D	CALC'D FRAME LENGTH - OVERALL : 365.49		
FSS-0LH	CALCULATED FRAME SPACE LH SIDE : 129.74 in		
FSS-0RH	CALCULATED FRAME SPACE RH SIDE : 213.58 in		
AM6-99D	CALC'D SPACE AVAILABLE FOR DECKPLATE : 148.45 in		
553-001	SQUARE END OF FRAME		
550-001	FRONT CLOSING CROSSMEMBER		
559-001	STANDARD WEIGHT ENGINE CROSSMEMBER		
562-001	STANDARD MIDSHIP #1 CROSSMEMBER(S)		
572-001	STANDARD REARMOST CROSSMEMBER		
565-002	HEAVY DUTY SUSPENSION CROSSMEMBER		30
Chassis Equipment			
556-1E7	14 INCH PAINTED STEEL SEVERE DUTY BUMPER	125	-15
558-001	FRONT TOW HOOKS - FRAME MOUNTED	15	



Prepared for:
 Eugene Silvas
 CORONA CITY OF
 755 Public Safety Wy
 Corona, CA 92880
 Phone: 9517362234

Prepared by:
 James Blakely
 LOS ANGELES FTL - WST
 2429 PECK ROAD
 WHITTIER, CA 90601
 Phone: 714-357-0024

Data Code	Description	Weight Front	Weight Rear
574-001	BUMPER MOUNTING FOR SINGLE LICENSE PLATE		
551-017	GRADE 8 THREADED HEX HEADED FRAME FASTENERS INSTALLED WITH BOLT HEADS ON OUTSIDE OF FRAME		

Fuel Tanks

204-998	NO LH FUEL TANK	-85	-20
* 230-064	60 DIESEL GALLON EQUIVALENT (DGE) COMPRESSED NATURAL GAS (CNG) FUEL TANKS STACKED BACK OF CAB, 4X16 INCHES DIAMETER, 577 MM OVERALL LENGTH	600	450
231-008	STACKED TRANSVERSE MOUNTING BACK OF CAB FOR CNG TANKS WITH PAINTED SHIELDING		
664-001	PLAIN STEP FINISH		
205-065	LH CNG NGV1 STANDARD FILL RECEPTACLE AND DUST CAP AND DEFUELER RECEPTACLE		
220-008	CNG FUEL HEATING SYSTEM	10	
216-059	SINGLE CNG FUEL LINE WITH IN-LINE SOLENOID SHUTOFF VALVE AND PRESSURE REGULATOR		
202-020	STAINLESS STEEL AND SYNTHETIC RUBBER FLEXIBLE FUEL LINES - NATURAL GAS SERVICE		

Tires

093-13F	CONTINENTAL HS3+ ECO PLUS 295/75R22.5 16 PLY RADIAL FRONT TIRES	8	
094-2FN	CONTINENTAL HDR2 ECO PLUS 295/75R22.5 14 PLY RADIAL REAR TIRES		60

Hubs

418-060	CONMET PRESET PLUS PREMIUM IRON FRONT HUBS		
450-060	CONMET PRESET PLUS PREMIUM IRON REAR HUBS		

Wheels

502-1F2	MAXION WHEELS 90541 22.5X8.25 10-HUB PILOT 6.20 INSET 2-HAND STEEL DISC FRONT WHEELS		
505-1F2	MAXION WHEELS 90541 22.5X8.25 10-HUB PILOT 6.20 INSET 2-HAND STEEL DISC REAR WHEELS		
* 498-009	WHEEL STUDS FOR CUSTOMER INSTALLED HUB PILOTTED DUALED ALUMINUM WHEELS, ALL		

ALSO INCLUDE 498-042 INNER WHEEL EXTENSIONS, OUTBOARD AIRING, STEEL OUTER WHEELS



Prepared for:
 Eugene Silvas
 CORONA CITY OF
 755 Public Safety Wy
 Corona, CA 92880
 Phone: 9517362234

Prepared by:
 James Blakely
 LOS ANGELES FTL - WST
 2429 PECK ROAD
 WHITTIER, CA 90601
 Phone: 714-357-0024

Data Code	Description	Weight Front	Weight Rear
Cab Exterior			
829-1A2	114 INCH BBC FLAT ROOF ALUMINUM CONVENTIONAL CAB		
650-008	AIR CAB MOUNTING		
648-002	NONREMOVABLE BUGSCREEN MOUNTED BEHIND GRILLE		
667-004	FRONT FENDERS SET-BACK AXLE		
678-001	LH AND RH GRAB HANDLES		
646-041	STATIONARY BLACK GRILLE		
65X-004	BLACK HOOD MOUNTED AIR INTAKE GRILLE		
644-004	FIBERGLASS HOOD		
690-017	HOOD LINER, ADDED FIREWALL AND FLOOR HEAT INSULATION	5	
727-1AH	SINGLE 14 INCH ROUND POLISHED AIR HORN ROOF MOUNTED		
726-002	DUAL ELECTRIC HORNS		
728-001	SINGLE HORN SHIELD		
657-001	DOOR LOCKS AND IGNITION SWITCH KEYED THE SAME		
78G-004	KEY QUANTITY OF 4		
575-001	REAR LICENSE PLATE MOUNT END OF FRAME		
312-068	HALOGEN COMPOSITE HEADLAMPS WITH BLACK BEZELS		
302-047	LED AERODYNAMIC MARKER LIGHTS		
* 311-012	DAYTIME RUNNING LIGHTS - LOW BEAM ONLY		
294-1AY	INTEGRAL LED STOP/TAIL/BACKUP LIGHTS		
300-015	STANDARD FRONT TURN SIGNAL LAMPS		
744-1BC	DUAL WEST COAST BRIGHT FINISH HEATED MIRRORS WITH LH AND RH REMOTE		
797-001	DOOR MOUNTED MIRRORS		
796-001	102 INCH EQUIPMENT WIDTH		
743-204	LH AND RH 8 INCH BRIGHT FINISH CONVEX MIRRORS MOUNTED UNDER PRIMARY MIRRORS		
74A-001	RH DOWN VIEW MIRROR		
74B-079	RH 8 INCH STAINLESS STEEL FENDER MOUNTED CONVEX MIRROR WITH TRIPOD BRACKETS	4	
729-001	STANDARD SIDE/REAR REFLECTORS		
275-061	ELECTRIC HORN WARNING SYSTEM FOR PARK BRAKE NOT SET WITH DOOR OPEN AND ALL IGNITION KEY POSITIONS		



Prepared for:
 Eugene Silvas
 CORONA CITY OF
 755 Public Safety Wy
 Corona, CA 92880
 Phone: 9517362234

Prepared by:
 James Blakely
 LOS ANGELES FTL - WST
 2429 PECK ROAD
 WHITTIER, CA 90601
 Phone: 714-357-0024

Data Code	Description	Weight Front	Weight Rear
764-010	COMPOSITE EXTERIOR SUN VISOR	10	
768-043	63X14 INCH TINTED REAR WINDOW		
661-003	TINTED DOOR GLASS LH AND RH WITH TINTED NON-OPERATING WING WINDOWS		
654-027	RH AND LH ELECTRIC POWERED WINDOWS, PASSENGER SWITCHES ON DOOR(S)	4	
663-013	1-PIECE SOLAR GREEN GLASS WINDSHIELD		
659-019	2 GALLON WINDSHIELD WASHER RESERVOIR WITHOUT FLUID LEVEL INDICATOR, FRAME MOUNTED		

Cab Interior

707-1AK	OPAL GRAY VINYL INTERIOR		
706-026	MOLDED PLASTIC DOOR PANEL WITHOUT VINYL INSERT WITH ALUMINUM KICKPLATE LOWER DOOR		
708-026	MOLDED PLASTIC DOOR PANEL WITHOUT VINYL INSERT WITH ALUMINUM KICKPLATE LOWER DOOR		
772-006	BLACK MATS WITH SINGLE INSULATION		
785-998	NO DASH MOUNTED ASH TRAYS AND LIGHTER		
691-998	NO FORWARD ROOF MOUNTED CONSOLE		
694-010	IN DASH STORAGE BIN		
693-023	LH DOOR MAP POCKET		
742-007	(2) CUP HOLDERS LH AND RH DASH		
680-006	GRAY/CHARCOAL FLAT DASH		
720-003	5 LB. FIRE EXTINGUISHER	10	
714-001	FIRST AID KIT	2	
700-002	HEATER, DEFROSTER AND AIR CONDITIONER		
701-001	STANDARD HVAC DUCTING		
703-005	MAIN HVAC CONTROLS WITH RECIRCULATION SWITCH		
170-015	STANDARD HEATER PLUMBING		
130-041	VALEO HEAVY DUTY A/C REFRIGERANT COMPRESSOR		
702-002	BINARY CONTROL, R-134A		
739-034	PREMIUM INSULATION		
285-013	SOLID-STATE CIRCUIT PROTECTION AND FUSES		
280-007	12V NEGATIVE GROUND ELECTRICAL SYSTEM		
324-011	DOME DOOR ACTIVATED LH AND RH, DUAL READING LIGHTS, FORWARD CAB ROOF		
655-005	LH AND RH ELECTRIC DOOR LOCKS		



Prepared for:
 Eugene Silvas
 CORONA CITY OF
 755 Public Safety Wy
 Corona, CA 92880
 Phone: 9517362234

Prepared by:
 James Blakely
 LOS ANGELES FTL - WST
 2429 PECK ROAD
 WHITTIER, CA 90601
 Phone: 714-357-0024

Data Code	Description	Weight Front	Weight Rear
284-045	(2) 12 VOLT POWER RECEPTACLES MOUNTED IN DASH		
722-002	TRIANGULAR REFLECTORS WITHOUT FLARES	10	
756-1J3	BASIC HIGH BACK AIR SUSPENSION DRIVER SEAT WITH MECHANICAL LUMBAR AND INTEGRATED CUSHION EXTENSION	30	
760-1C0	2 MAN TOOL BOX MID BACK NON SUSPENSION PASSENGER SEAT WITH HEADRESTS	70	20
759-007	DUAL DRIVER SEAT ARMRESTS, NO PASSENGER SEAT ARMRESTS	4	
711-004	LH AND RH INTEGRAL DOOR PANEL ARMRESTS		
758-014	BLACK CORDURA PLUS CLOTH DRIVER SEAT COVER		
761-014	BLACK CORDURA PLUS CLOTH PASSENGER SEAT COVER		
763-101	BLACK SEAT BELTS		
532-002	ADJUSTABLE TILT AND TELESCOPING STEERING COLUMN	10	
540-015	4-SPOKE 18 INCH (450MM) STEERING WHEEL		
765-002	DRIVER AND PASSENGER INTERIOR SUN VISORS		

Instruments & Controls

732-004	GRAY DRIVER INSTRUMENT PANEL		
734-004	GRAY CENTER INSTRUMENT PANEL		
87L-001	ENGINE REMOTE INTERFACE WITH PARK BRAKE INTERLOCK		
870-001	BLACK GAUGE BEZELS		
486-001	LOW AIR PRESSURE INDICATOR LIGHT AND AUDIBLE ALARM		
840-002	2 INCH PRIMARY AND SECONDARY AIR PRESSURE GAUGES		
198-025	INTAKE MOUNTED AIR RESTRICTION INDICATOR WITHOUT GRADUATIONS		
721-003	PRECO/ECCO 1040 87 DECIBELS TO 112 DECIBELS AUTOMATIC SELF-ADJUSTING BACKUP ALARM		3
149-017	ELECTRONIC CRUISE CONTROL WITH SWITCHES ON AUXILIARY GAUGE PANEL (B DASH PANEL)		
156-007	KEY OPERATED IGNITION SWITCH AND INTEGRAL START POSITION; 4 POSITION OFF/RUN/START/ACCESSORY		
811-042	ICU3S, 132X48 DISPLAY WITH DIAGNOSTICS, 28 LED WARNING LAMPS AND DATA LINKED		



Prepared for:
 Eugene Silvas
 CORONA CITY OF
 755 Public Safety Wy
 Corona, CA 92880
 Phone: 9517362234

Prepared by:
 James Blakely
 LOS ANGELES FTL - WST
 2429 PECK ROAD
 WHITTIER, CA 90601
 Phone: 714-357-0024

Data Code	Description	Weight Front	Weight Rear
* 160-039	(1) HEAVY DUTY ONBOARD DIAGNOSTICS INTERFACE CONNECTOR LOCATED BELOW LH DASH AND (1) SAE J1939 DIAGNOSTIC INTERFACE CONNECTOR LOCATED CENTER OF DASH		
844-001	2 INCH ELECTRIC FUEL GAUGE		
148-073	ENGINE REMOTE INTERFACE FOR REMOTE THROTTLE		
163-001	ENGINE REMOTE INTERFACE CONNECTOR AT BACK OF CAB		
856-001	ELECTRICAL ENGINE COOLANT TEMPERATURE GAUGE		
864-001	2 INCH TRANSMISSION OIL TEMPERATURE GAUGE		
830-017	ENGINE AND TRIP HOUR METERS INTEGRAL WITHIN DRIVER DISPLAY		
372-043	(1) DASH MOUNTED PTO SWITCH WITH INDICATOR LAMP - PARK BRAKE AND NEUTRAL INTERLOCK	10	
73H-001	POWER, GROUND AND ROOF MOUNTED BRACKET FOR ALLIANCE WIRELESS TECHNOLOGIES (THIRD EYE VIDEO SYSTEM) REAR VISION MONITOR AND VENDOR CAMERA CABLE TO BACK OF CAB	5	
852-002	ELECTRIC ENGINE OIL PRESSURE GAUGE		
679-001	OVERHEAD INSTRUMENT PANEL		
35M-001	SMARTPLEX HUB MODULE WITH OVERHEAD SWITCH MOUNTING, DRIVER SIDE ONLY (6 SWITCH SLOTS)	44	
746-115	AM/FM/WB WORLD TUNER RADIO WITH BLUETOOTH AND USB AND AUXILIARY INPUTS, J1939	10	
747-001	DASH MOUNTED RADIO		
750-002	(2) RADIO SPEAKERS IN CAB		
753-001	AM/FM ANTENNA MOUNTED ON FORWARD LH ROOF		
74D-002	RADIO WIRING WITH POWER CUTOFF WHEN VEHICLE IN REVERSE GEAR		
810-027	ELECTRONIC MPH SPEEDOMETER WITH SECONDARY KPH SCALE, WITHOUT ODOMETER		
817-001	STANDARD VEHICLE SPEED SENSOR		
812-001	ELECTRONIC 3000 RPM TACHOMETER		
813-998	NO VEHICLE PERFORMANCE MONITOR	-5	



Prepared for:
 Eugene Silvas
 CORONA CITY OF
 755 Public Safety Wy
 Corona, CA 92880
 Phone: 9517362234

Prepared by:
 James Blakely
 LOS ANGELES FTL - WST
 2429 PECK ROAD
 WHITTIER, CA 90601
 Phone: 714-357-0024

Data Code	Description	Weight Front	Weight Rear
6TS-003	(2) TMC RP 1226 ACCESSORY CONNECTORS: (1) LOCATED BEHIND DASH B PANEL AND (1) LOCATED PASSENGER SIDE OF DASH		
162-011	IDLE LIMITER, ELECTRONIC ENGINE		
81Y-001	PRE-TRIP LAMP INSPECTION, ALL OUTPUTS FLASH, WITH SMART SWITCH		
44R-006	6 ON/OFF LATCHING SMARTPLEX SWITCHES		
836-015	DIGITAL VOLTAGE DISPLAY INTEGRAL WITH DRIVER DISPLAY		
660-008	SINGLE ELECTRIC WINDSHIELD WIPER MOTOR WITH DELAY		
304-001	MARKER LIGHT SWITCH INTEGRAL WITH HEADLIGHT SWITCH		
882-009	ONE VALVE PARKING BRAKE SYSTEM WITH WARNING INDICATOR		
299-013	SELF CANCELING TURN SIGNAL SWITCH WITH DIMMER, WASHER/WIPER AND HAZARD IN HANDLE		
298-039	INTEGRAL ELECTRONIC TURN SIGNAL FLASHER WITH HAZARD LAMPS OVERRIDING STOP LAMPS		

Design

065-000 PAINT: ONE SOLID COLOR

Color

980-5F6 CAB COLOR A: L0006EY WHITE ELITE EY
 986-020 BLACK, HIGH SOLIDS POLYURETHANE CHASSIS
 PAINT
 98K-5F6 PAINT-FUEL CABINET: L0006EY WHITE ELITE EY
 962-972 POWDER WHITE (N0006EA) FRONT
 WHEELS/RIMS (PKWHT21, TKWHT21, W, TW)
 966-972 POWDER WHITE (N0006EA) REAR
 WHEELS/RIMS (PKWHT21, TKWHT21, W, TW)
 964-6Z7 BUMPER PAINT: FP24812 ARGENT SILVER
 DUPONT FLEX
 976-995 SUNVISOR PAINTED SAME AS CAB COLOR A
 963-003 STANDARD E COAT/UNDERCOATING

Certification / Compliance

996-001 U.S. FMVSS CERTIFICATION, EXCEPT SALES
 CABS AND GLIDER KITS

Secondary Factory Options

998-032 CORPORATE PDI CENTER OPTION
 INSTALLATION/MODIFICATION ONLY



Prepared for:
 Eugene Silvas
 CORONA CITY OF
 755 Public Safety Wy
 Corona, CA 92880
 Phone: 9517362234

Prepared by:
 James Blakely
 LOS ANGELES FTL - WST
 2429 PECK ROAD
 WHITTIER, CA 90601
 Phone: 714-357-0024

Data Code	Description	Weight Front	Weight Rear
* 999-062	DEALER/CUSTOMER ADVISED AND ACCEPTS BUMPER SHOULD BE REMOVED PRIOR TO RECOVERING/TOWING THE VEHICLE PER FRACAS:11687		
* MWF-003	DETROIT FRONT AXLE COVERAGE, VOCATIONAL, 3 YEAR/300,000 MILES/480 000 KILOMETERS		
* 974-202	ENGINE PROGRAMMING PROCESS FLAG		
* 923-002	DEDICATED PATHWAY, ROUTING AND CLIPPING		
* 99X-019	OBD 2019 MISFIRE MONITORING		
* 99Z-006	VEHICLE IS SUBJECT TO EPA GHG21		
* 835-003	J1939 500KBPS TO J1939 250KBPS GATEWAY FOR TELEMATICS, VIRTUAL TECHNICIAN AND BODY BUILDER INTERFACE		

Raw Performance Data

AE8-99D	CALCULATED EFFECTIVE BACK OF CAB TO REAR SUSPENSION C/L (CA) : 121.03 in
AM6-99D	CALC'D SPACE AVAILABLE FOR DECKPLATE : 148.45 in

Sales Programs

NO SALES PROGRAMS HAVE BEEN SELECTED

TOTAL VEHICLE SUMMARY

Weight Summary

	Weight Front	Weight Rear	Total Weight
Factory Weight ⁺	8931 lbs	4064 lbs	12995 lbs
Dealer Installed Options	0 lbs	0 lbs	0 lbs
Total Weight⁺	8931 lbs	4064 lbs	12995 lbs

Extended Warranty

WAI-5J4	CUM EPA17 L9N: GE1 HWY 5 YEARS/150,000 MILES/241,500 KM EXT WARR. FEX APPLIES
WBB-545	TC4: US HD STANDARD/MODERATE VOCATIONAL 7 YEARS/150,000 MILES/241,500 KM EXTENDED TRUCK COVERAGE



Prepared for:
 Eugene Silvas
 CORONA CITY OF
 755 Public Safety Wy
 Corona, CA 92880
 Phone: 9517362234

Prepared by:
 James Blakely
 LOS ANGELES FTL - WST
 2429 PECK ROAD
 WHITTIER, CA 90601
 Phone: 714-357-0024

WAK-251 ALLISON 3000 RDS SERIES TRANSMISSION EXTEND WARRANTY, 5 YEARS/UNLIMITED MILES FEX
 WAG-032 TOWING: 7 YEARS/UNLIMITED MILES/KM EXTENDED TOWING COVERAGE \$550 CAP FEX APPLIES

Dealer Installed Options

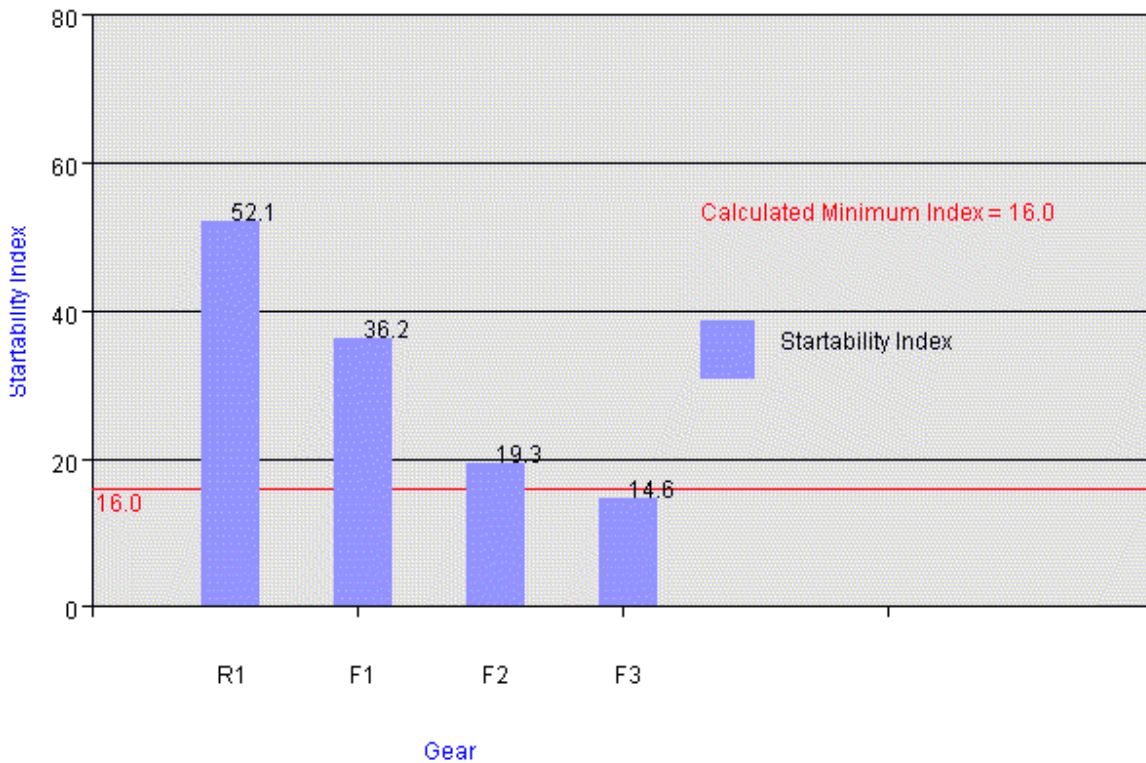
		Weight Front	Weight Rear
FETER	BODY PER ATTACHED SPEC TO INCLUDE BACK UP CAMERA AND TRAFFIC ADVISOR	0	0
BFILL	FRONT BUMPER CNG FILL PORT	0	0
Total Dealer Installed Options		0 lbs	0 lbs

(+) Weights shown are estimates only.
 If weight is critical, contact Customer Application Engineering.

(***) All cost increases for major components (Engines, Transmissions, Axles, Front and Rear Tires) and government mandated requirements, tariffs, and raw material surcharges will be passed through and added to factory invoices.



STARTABILITY



VEHICLE SPECIFICATIONS SUMMARY - STARTABILITY

Model	114SD
Cab Size (829).....	114 INCH BBC FLAT ROOF ALUMINUM CONVENTIONAL CAB
Expected Front Axle(s) Load (lbs).....	13300.0
Expected Pusher Axle(s) Load (lbs).....	0.0
Expected Rear Axle(s) Load (lbs)	21000.0
Expected Tag Axle(s) Load (lbs).....	0.0



Prepared for:
 Eugene Silvas
 CORONA CITY OF
 755 Public Safety Wy
 Corona, CA 92880
 Phone: 9517362234

Prepared by:
 James Blakely
 LOS ANGELES FTL - WST
 2429 PECK ROAD
 WHITTIER, CA 90601
 Phone: 714-357-0024

Expected GVW (lbs)	34300
Expected GCW (lbs)	0.0
Engine (101).....	CUM L9N 320 HP @ 2000 RPM, 2200 GOV, N-GAS, 1000 LB-FT @ 1300 RPM
Torque at Clutch Engagement (lbs-ft)	550
Transmission (342).....	ALLISON 3000 RDS AUTOMATIC TRANSMISSION WITH PTO PROVISION
Gear Ratio: Forward 1	3.49
Gear Ratio: Forward 2	1.86
Gear Ratio: Forward 3	1.41
Gear Ratio: Reverse 1	5.03
Gear Ratio: Reverse 2	N/A
Gear Ratio: Reverse 3	N/A
Auxiliary Transmission (352).....	NO AUXILIARY TRANSMISSION
Low Gear Ratio.....	N/A
High Gear Ratio.....	N/A
Transfer Case (373).....	NO TRANSFER CASE
Low Gear Ratio.....	N/A
High Gear Ratio.....	N/A
Rear Axle (420)	DETROIT DA-RS-21.0-4 21,000# R-SERIES SINGLE REAR AXLE
Number of Speeds.....	1
Rear Axle Gear Ratio(s).....	5.63 REAR AXLE RATIO
Rear Tires (094)	CONTINENTAL HDR2 ECO PLUS 295/75R22.5 14 PLY RADIAL REAR TIRES
Revolutions per Mile	509
Vehicle Service (A85).....	UTILITY/REPAIR/MAINTENANCE SERVICE
Startability Factor.....	8
Terrain (AA5).....	TERRAIN/DUTY: 100% (ALL) OF THE TIME, IN TRANSIT, IS SPENT ON PAVED ROADS
Startability Factor.....	0
Most Severe Grade Expected (AB1)	MAXIMUM 8% EXPECTED GRADE
Startability Factor.....	8
Road Surface (AB5). SMOOTH CONCRETE OR ASPHALT PAVEMENT - MOST SEVERE IN-TRANSIT (BETWEEN SITES) ROAD SURFACE	
Startability Factor.....	0
Suggested Torque Converter Stall Ratio.....	1.77

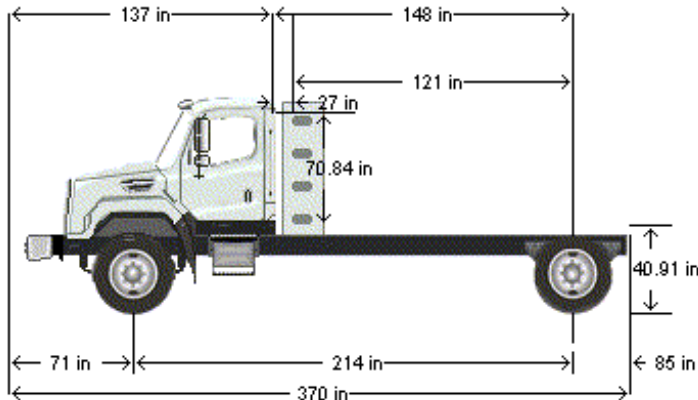
Performance calculations are estimates only. If performance calculations are critical, please contact Customer Application Engineering.



Prepared for:
 Eugene Silvas
 CORONA CITY OF
 755 Public Safety Wy
 Corona, CA 92880
 Phone: 9517362234

Prepared by:
 James Blakely
 LOS ANGELES FTL - WST
 2429 PECK ROAD
 WHITTIER, CA 90601
 Phone: 714-357-0024

D I M E N S I O N S



VEHICLE SPECIFICATIONS SUMMARY - DIMENSIONS

Model	114SD
Wheelbase (545)	5425MM (214 INCH) WHEELBASE
Rear Frame Overhang (552)	2150MM (85 INCH) REAR FRAME OVERHANG
Fifth Wheel (578)	NO FIFTH WHEEL
Mounting Location (577)	NO FIFTH WHEEL LOCATION
Maximum Forward Position (in)	0
Maximum Rearward Position (in)	0
Amount of Slide Travel (in)	0
Slide Increment (in)	0
Desired Slide Position (in)	0.0
Cab Size (829)	114 INCH BBC FLAT ROOF ALUMINUM CONVENTIONAL CAB
Sleeper (682)	NO SLEEPER BOX/SLEEPERCAB
Exhaust System (016)	SINGLE HORIZONTAL MUFFLER WITH HORIZONTAL TAILPIPE EXHAUST, RH MOUNTED

TABLE SUMMARY - DIMENSIONS



Prepared for:
 Eugene Silvas
 CORONA CITY OF
 755 Public Safety Wy
 Corona, CA 92880
 Phone: 9517362234

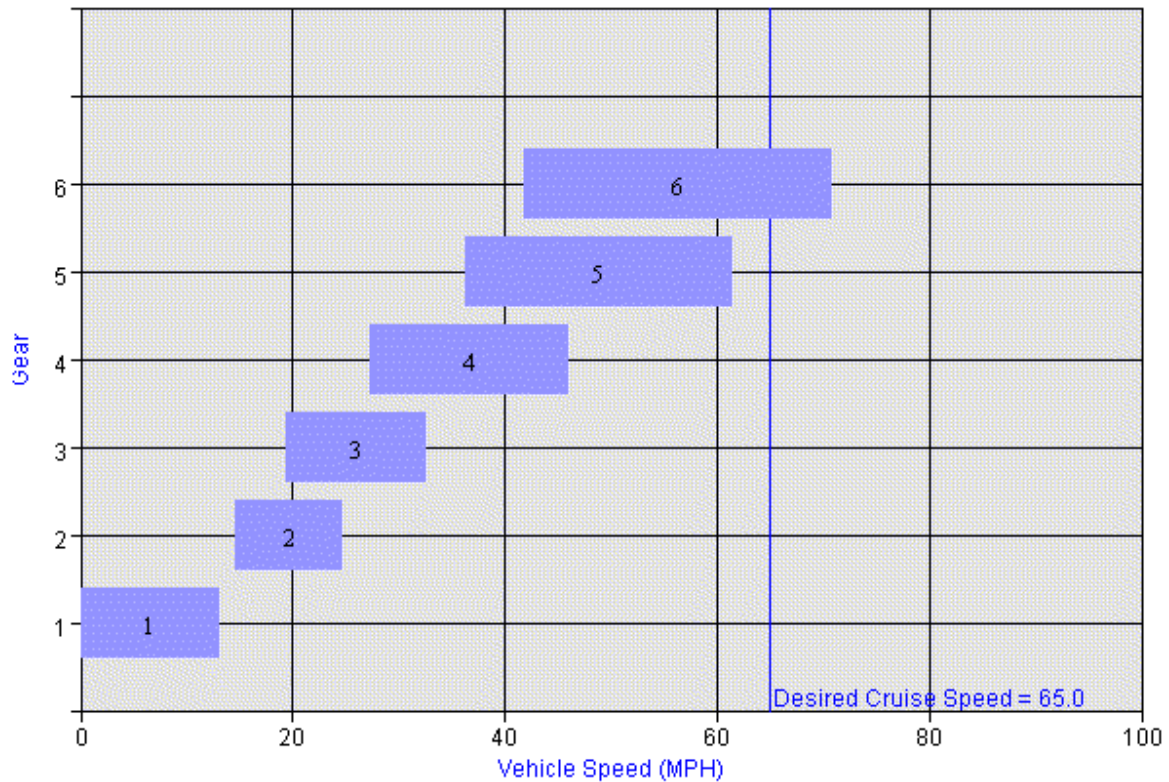
Prepared by:
 James Blakely
 LOS ANGELES FTL - WST
 2429 PECK ROAD
 WHITTIER, CA 90601
 Phone: 714-357-0024

Dimensions	Inches
Bumper to Back of Cab (BBC)	137.0
Bumper to Centerline of Front Axle (BA)	71.5
Min. Cab to Body Clearance (CB)	27.0
Back of Cab to Centerline of Rear Axle(s) (CA)	148.0
Effective Back of Cab to Centerline of Rear Axle(s) (Effective CA)	121.0
Back of Cab Protrusions (Exhaust/Intake) (CP)	0.0
Back of Cab Protrusions (Side Extenders/Trim Tab) (CP)	0.0
Back of Cab Protrusions (CNG Tank)	25.6
Back of Cab Clearance (CL)	27.0
Back of Cab to End of Frame	232.6
Cab Height (CH)	70.8
Wheelbase (WB)	213.6
Frame Overhang (OH)	84.6
Overall Frame Length	365.5
Overall Length (OAL)	369.7
Rear Axle Spacing	0.0
Unladen Frame Height at Centerline of Rear Axle	40.9

Performance calculations are estimates only. If performance calculations are critical, please contact Customer Application Engineering.



OPERATING RANGE



VEHICLE SPECIFICATIONS SUMMARY - OPERATING RANGE

Model	114SD
Cab Size (829).....	114 INCH BBC FLAT ROOF ALUMINUM CONVENTIONAL CAB
Desired Cruise Speed (mph)	65.0
Engine (101).....	CUM L9N 320 HP @ 2000 RPM, 2200 GOV, N-GAS, 1000 LB-FT @ 1300 RPM
RPM at Peak Torque	1300
Governed RPM.....	2200



Prepared for:
 Eugene Silvas
 CORONA CITY OF
 755 Public Safety Wy
 Corona, CA 92880
 Phone: 9517362234

Prepared by:
 James Blakely
 LOS ANGELES FTL - WST
 2429 PECK ROAD
 WHITTIER, CA 90601
 Phone: 714-357-0024

Transmission (342).....ALLISON 3000 RDS AUTOMATIC TRANSMISSION WITH PTO PROVISION
 Gear Ratio: LL N/A
 Gear Ratio: L N/A
 Gear Ratio: 1 3.49
 Gear Ratio: 2 1.86
 Gear Ratio: 3 1.41
 Gear Ratio: 4 1
 Gear Ratio: 5 0.75
 Gear Ratio: 6 0.65
 Gear Ratio: 7 N/A
 Gear Ratio: 8 N/A
 Gear Ratio: 9 N/A
 Gear Ratio: 10 N/A
 Gear Ratio: 11 N/A
 Gear Ratio: 12 N/A
 Gear Ratio: 13 N/A
 Gear Ratio: 14 N/A
 Gear Ratio: 15 N/A
 Gear Ratio: 16 N/A
 Gear Ratio: 17 N/A
 Gear Ratio: 18 N/A
 Auxiliary Transmission (352)..... NO AUXILIARY TRANSMISSION
 Low Gear Ratio..... N/A
 High Gear Ratio..... N/A
 Transfer Case (373)..... NO TRANSFER CASE
 Low Gear Ratio..... N/A
 High Gear Ratio..... N/A
 Rear Axle (420)DETROIT DA-RS-21.0-4 21,000# R-SERIES SINGLE REAR AXLE
 Number of Speeds 1
 Rear Axle Gear Ratio(s).....5.63 REAR AXLE RATIO
 Rear Tires (094) CONTINENTAL HDR2 ECO PLUS 295/75R22.5 14 PLY RADIAL REAR TIRES
 Revolutions per Mile 509

TABLE SUMMARY - OPERATING RANGE

Transmission Gear	Transmission Gear Ratio	Rear Axle Ratio	Overall Gear Ratio	Minimum Speed (MPH)	Maximum Speed (MPH)
1	3.49	5.63	19.65	0	13.2
2	1.86	5.63	10.47	14.6	24.8
3	1.41	5.63	7.94	19.3	32.7
4	1.00	5.63	5.63	27.2	46.1
5	0.75	5.63	4.22	36.3	61.4
6	0.65	5.63	3.66	41.9	70.9



Prepared for:
Eugene Silvas
CORONA CITY OF
755 Public Safety Wy
Corona, CA 92880
Phone: 9517362234

Prepared by:
James Blakely
LOS ANGELES FTL - WST
2429 PECK ROAD
WHITTIER, CA 90601
Phone: 714-357-0024

Performance calculations are estimates only. If performance calculations are critical, please contact Customer Application Engineering.



Prepared for:
 Eugene Silvas
 CORONA CITY OF
 755 Public Safety Wy
 Corona, CA 92880
 Phone: 9517362234

Prepared by:
 James Blakely
 LOS ANGELES FTL - WST
 2429 PECK ROAD
 WHITTIER, CA 90601
 Phone: 714-357-0024

G V W R

VEHICLE SPECIFICATIONS SUMMARY - GVWR

Model 114SD
 Cab Size (829)..... 114 INCH BBC FLAT ROOF ALUMINUM CONVENTIONAL CAB
 Expected Front Axle(s) Load (lbs)..... 13300.0
 Expected Pusher Axle(s) Load (lbs)..... 0.0
 Expected Rear Axle(s) Load (lbs) 21000.0
 Expected Tag Axle(s) Load (lbs)..... 0.0
 Expected GVW (lbs) 34300
 Expected GCW (lbs) 0.0
 Front Axle (400)..... DETROIT DA-F-13.3-3 13,300# FF1 71.5 KPI/3.74 DROP SINGLE FRONT AXLE
 Front Suspension (620) 13,300# TAPERLEAF FRONT SUSPENSION
 Front Hubs (418) CONMET PRESET PLUS PREMIUM IRON FRONT HUBS
 Front Disc Wheels (502) MAXION WHEELS 90541 22.5X8.25 10-HUB PILOT 6.20 INSET 2-HAND STEEL DISC FRONT WHEELS
 Front Tires (093)..... CONTINENTAL HS3+ ECO PLUS 295/75R22.5 16 PLY RADIAL FRONT TIRES
 Front Brakes (402)..... MERITOR EX+LS AXIAL AIR DISC FRONT BRAKES
 Steering Gear (536)..... TRW THP-60 POWER STEERING
 Rear Axle (420) DETROIT DA-RS-21.0-4 21,000# R-SERIES SINGLE REAR AXLE
 Rear Suspension (622)..... AIRLINER 23,000# REAR SUSPENSION WITH CHAIN CLEARANCE
 Rear Hubs (450)..... CONMET PRESET PLUS PREMIUM IRON REAR HUBS
 Rear Disc Wheels (505)....MAXION WHEELS 90541 22.5X8.25 10-HUB PILOT 6.20 INSET 2-HAND STEEL DISC REAR WHEELS
 Rear Tires (094) CONTINENTAL HDR2 ECO PLUS 295/75R22.5 14 PLY RADIAL REAR TIRES
 Rear Brakes (423) MERITOR EX-L OPTIMIZED AXIAL AIR DISC REAR BRAKES
 Pusher / Tag Axle (443)..... NO PUSHER OR TAG AXLE
 Pusher / Tag Suspension (626) NO PUSHER OR TAG SUSPENSION
 Pusher / Tag Hubs (449)..... NO PUSHER OR TAG HUBS
 Pusher/Tag Disc Wheels (509) NO PUSHER/TAG DISC WHEELS
 Pusher / Tag Tires (095)..... NO PUSHER/TAG TIRES
 Pusher / Tag Brakes (456)..... NO PUSHER/TAG BRAKES

TABLE SUMMARY - GVWR



Prepared for:
 Eugene Silvas
 CORONA CITY OF
 755 Public Safety Wy
 Corona, CA 92880
 Phone: 9517362234

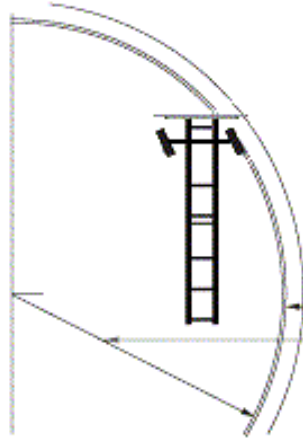
Prepared by:
 James Blakely
 LOS ANGELES FTL - WST
 2429 PECK ROAD
 WHITTIER, CA 90601
 Phone: 714-357-0024

	Front	Rear
Axle Component Weight Ratings		
Axles	13300	21000
Suspension	13300	23000
Hubs	14700	26000
Brakes	20000	23000
Wheels	14800	29600
Tires	14320	22700
Power Steering	13300	N/A
GAWR (per axle)	13300	21000
GAWR (per axle system)	13300	21000
Expected Load (per axle system)	13300	21000
GVWR due to Frame	90000	
GVWR due to Transmission	80000	
Vehicle GVWR Summary		
Calculated GVWR	34300	
Expected GVWR	34300	
All weights displayed in pounds		

Performance calculations are estimates only. If performance calculations are critical, please contact Customer Application Engineering.



TURNING RADIUS



Turning radius graphic and data provided strictly for comparisons between model configurations. Weather, road surfaces, and tire treads affect the results. It is strongly suggested that actual vehicles be measured before constructing any roads/driveways using this information. For specific figures regarding your configuration, please contact your CAE representative.

	Dimensions	Tolerance
Wall to Wall Diameter (ft)	65.3	+/- 3.0
Curb to Curb Diameter (ft)	57.0	+/- 3.0
Turning Radius (ft)	28.0	+/- 1.5

VEHICLE SPECIFICATIONS SUMMARY - TURNING RADIUS

Model	114SD
Cab Size (829).....	114 INCH BBC FLAT ROOF ALUMINUM CONVENTIONAL CAB
Wheelbase (545)	5425MM (214 INCH) WHEELBASE
Front Tires (093).....	CONTINENTAL HS3+ ECO PLUS 295/75R22.5 16 PLY RADIAL FRONT TIRES
Width (in)	12.3
Front Axle (400).....	DETROIT DA-F-13.3-3 13,300# FF1 71.5 KPI/3.74 DROP SINGLE FRONT AXLE
Kingpin Intersection (in)	71.5
Bumper (556)	14 INCH PAINTED STEEL SEVERE DUTY BUMPER
Width (in)	97.6
Bumper Miter to Front Axle (in)	76.186
Primary Steering Location (003)	LH PRIMARY STEERING LOCATION
Steering Gear (536).....	TRW THP-60 POWER STEERING
Dual Steering Gear	NONE
Ram.....	NONE
Rear Axle (420)	DETROIT DA-RS-21.0-4 21,000# R-SERIES SINGLE REAR AXLE
Axle Spacing (624)	NO AXLE SPACING

Performance calculations are estimates only. If performance calculations are critical, please contact Customer Application Engineering.

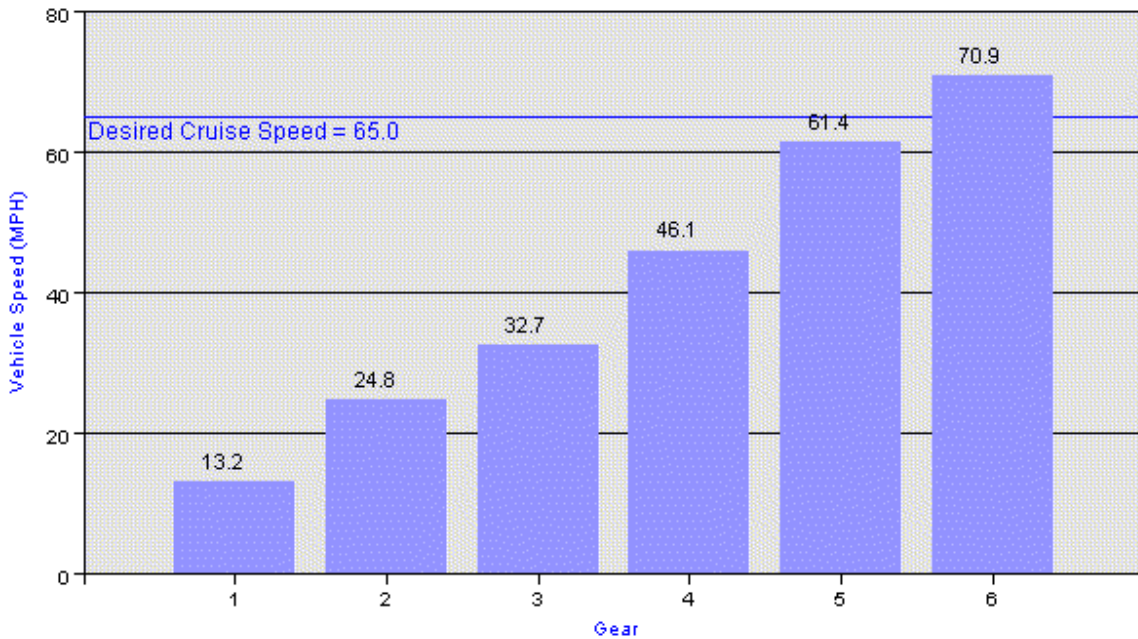


Prepared for:
Eugene Silvas
CORONA CITY OF
755 Public Safety Wy
Corona, CA 92880
Phone: 9517362234

Prepared by:
James Blakely
LOS ANGELES FTL - WST
2429 PECK ROAD
WHITTIER, CA 90601
Phone: 714-357-0024



OPERATING SPEED



Rear Axle Ratio = 5.63

Engine RPM = 2200

VEHICLE SPECIFICATIONS SUMMARY - OPERATING SPEED

Model	114SD
Cab Size (829).....	114 INCH BBC FLAT ROOF ALUMINUM CONVENTIONAL CAB
Top Speed (mph).....	70.9
Engine RPM	2200.0
Desired Cruise Speed (mph)	65.0
Engine (101).....	CUM L9N 320 HP @ 2000 RPM, 2200 GOV, N-GAS, 1000 LB-FT @ 1300 RPM



Prepared for:
 Eugene Silvas
 CORONA CITY OF
 755 Public Safety Wy
 Corona, CA 92880
 Phone: 9517362234

Prepared by:
 James Blakely
 LOS ANGELES FTL - WST
 2429 PECK ROAD
 WHITTIER, CA 90601
 Phone: 714-357-0024

Governed RPM..... 2200
 Transmission (342)..... ALLISON 3000 RDS AUTOMATIC TRANSMISSION WITH PTO PROVISION
 Rear Axle (420)DETROIT DA-RS-21.0-4 21,000# R-SERIES SINGLE REAR AXLE
 Number of Speeds..... 1
 Rear Axle Gear Ratio(s).....5.63 REAR AXLE RATIO
 Rear Tires (094) CONTINENTAL HDR2 ECO PLUS 295/75R22.5 14 PLY RADIAL REAR TIRES
 Revolutions per Mile 509
 Auxiliary Transmission (352)..... NO AUXILIARY TRANSMISSION
 High Gear Ratio..... N/A
 Low Gear Ratio..... N/A
 Transfer Case (373)..... NO TRANSFER CASE
 High Gear Ratio..... N/A
 Low Gear Ratio..... N/A

TABLE SUMMARY - OPERATING SPEED

Transmission Gear	Transmission Gear Ratio	Overall Gear Ratio	Vehicle Speed (MPH)
1	3.49	19.65	13.2
2	1.86	10.47	24.8
3	1.41	7.94	32.7
4	1.00	5.63	46.1
5	0.75	4.22	61.4
6	0.65	3.66	70.9
Desired Cruise Speed (mph)			65.0
Engine RPM			2200
Rear Axle Ratio			5.63
*Blue background represents value input by user.			

Performance calculations are estimates only. If performance calculations are critical, please contact Customer Application Engineering.



Prepared for:
 Eugene Silvas
 CORONA CITY OF
 755 Public Safety Wy
 Corona, CA 92880
 Phone: 9517362234

Prepared by:
 James Blakely
 LOS ANGELES FTL - WST
 2429 PECK ROAD
 WHITTIER, CA 90601
 Phone: 714-357-0024

F R A M E R B M

VEHICLE SPECIFICATIONS SUMMARY - FRAME RBM

Wheelbase (545)5425MM (214 INCH) WHEELBASE
 Frame Rails (546)..... 11/32X3-1/2X10-15/16 INCH STEEL FRAME (8.73MMX277.8MM/0.344X10.94 INCH) 120KSI(546)
 Yield Strength (psi) 120000
 Section Modulus (per rail) (cu in) 16.979
 RBM (per rail) (lbf-in) 2037600
 Inner Frame Reinforcement (547).....PARTIAL INNER FRAME REINFORCEMENT AT FRONT SUSPENSION
 Outer Frame Reinforcement (548)..... NO OUTER FRAME REINFORCEMENT

TABLE SUMMARY - FRAME RBM

Item	Description / Value
Wheelbase	5425MM (214 INCH) WHEELBASE
Frame	11/32X3-1/2X10-15/16 INCH STEEL FRAME (8.73MMX277.8MM/0.344X10.94 INCH) 120KSI
Inner Frame Reinforcement	PARTIAL INNER FRAME REINFORCEMENT AT FRONT SUSPENSION
Outer Frame Reinforcement	NO OUTER FRAME REINFORCEMENT
Yield Strength (psi)	120000
Section Modulus - per rail (cu. in.)	16.98
Frame RBM - per rail (lbf-in)	2037600

Performance calculations are estimates only. If performance calculations are critical, please contact Customer Application Engineering.

