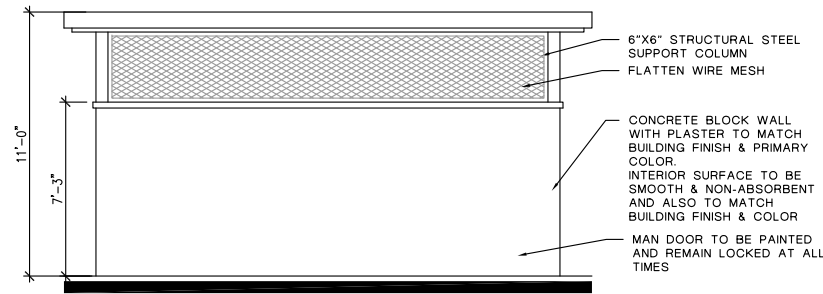
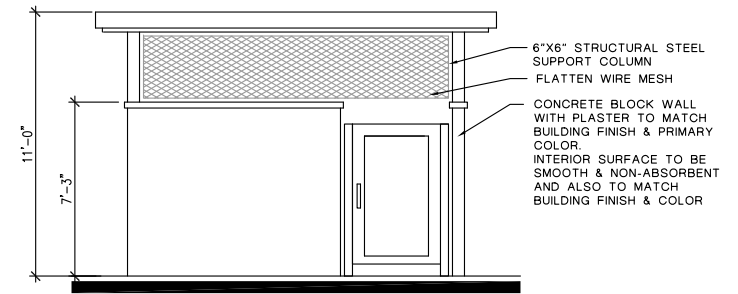


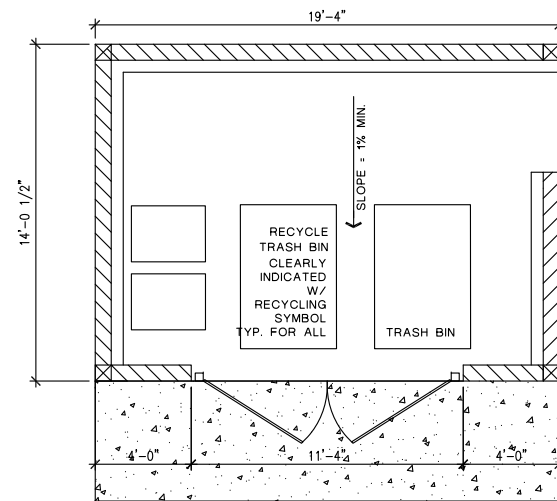
ROOF PLAN



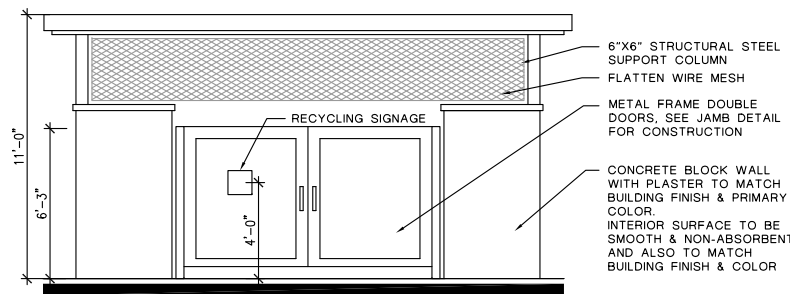
WEST ELEVATION



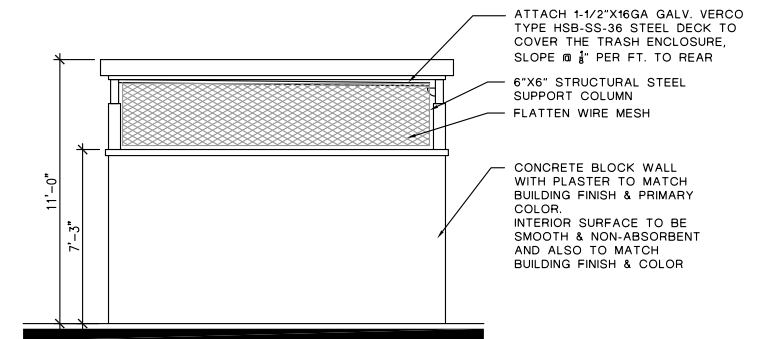
NORTH ELEVATION



FLOOR PLAN



EAST ELEVATION



SOUTH ELEVATION



**BICKEL GROUP
ARCHITECTURE**
BICKEL GROUP INCORPORATED
3600 BIRCH STREET, SUITE 120
NEWPORT BEACH, CA 92660
P: 949.757.0411 F: 949.757.0511
www.bickelgrp.com

STARBUCKS

DOMINGUEZ RANCH ROAD AND GREEN RIVER ROAD
CORONA, CALIFORNIA

EXHIBIT 18

TRASH ENCLOSURE

Scale: 1/8" = 1'-0"

May 4, 2022

P:\21\21350 - Corona, SEC Green River Rd & Dominguez Ranch Rd\Design\Elevations\21350 Trash Enclosure.dwg

The plans, ideas, arrangements and designs indicated or represented by this drawing are owned by, and are the property of BICKEL GROUP and were created and developed solely for use on, and in connection with the specific project, and shall not be used, in whole or in part, for any purpose for which they were not originally intended without written permission from BICKEL GROUP © 2017.